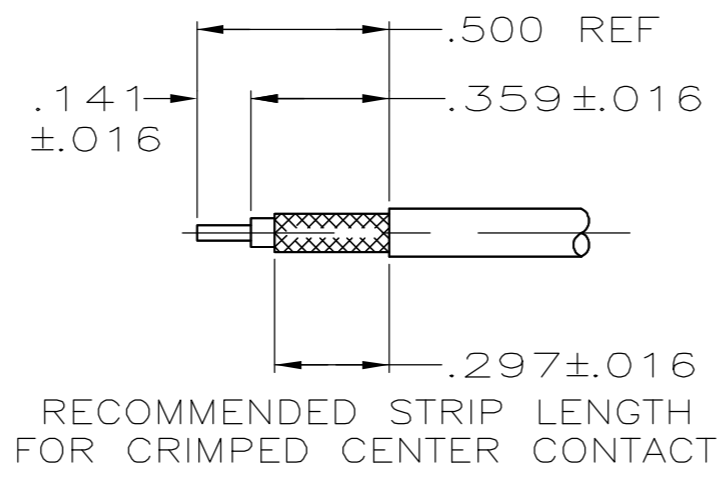
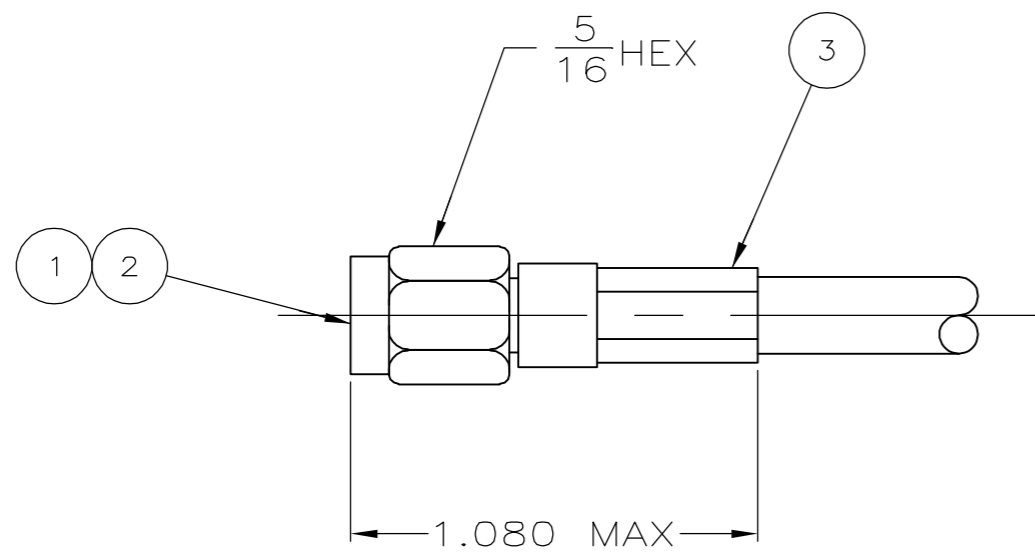


THIS DRAWING IS UNPUBLISHED. RELEASED FOR PUBLICATION
 © COPYRIGHT BY TYCO ELECTRONICS CORPORATION. ALL RIGHTS RESERVED.

LOC	DIST	REVISIONS					
AJ	16	P	LTR	DESCRIPTION	DATE	DWN	APVD
		0		REV PER EC-0S14-0496-04	31JAN2005	LV	DC



- ① CENTER CONTACT: CRIMPING TOOL M22520/2-01; POSITIONER M22520/2-20; SELECTOR SETTING PER TABLE
- ② FERRULE: CRIMPING TOOL M22520/5-01; DIE NUMBER OR HEX SIZE PER TABLE
- ③ PRODUCT IS DESIGNED TO MEET PRODUCT SPECIFICATION 108-1574.
- ④ BRIGHT NICKEL PLATE.
- ⑤ COUPLING NUT MUST WITHSTAND 60 LB RETENTION FORCE. ALSO 15 IN-LB TORQUE WHEN MATED.
- ⑥ USE SELECTOR SETTING #7 FOR RG-142, 142A, 142B AND SELECTOR SETTING #6 FOR RG-400
- ⑦ INSTRUCTION SHEET: 408-4032

RG-55, 55 A, 55 B, 223	DIE M22520/5-11 A OR .213X.400 HEX	#7	④	BRASS	9-446556-3	447848-2	447844-1	1-5447647-0
RG-174, 188 A, 316	DIE M22520/5-35 B OR .128X.400 HEX	#4	④	BRASS	9-446556-1	447869-2	447844-4	5447647-3
RG-142, 142 A, 142 B, RG-400	DIE M22520/5-11 A OR .213X.400 HEX	⑥	④	BRASS	9-446556-0	443246-2	447844-1	5447647-2
RG-58, 58 A/U, 58 B/U, 58 C/U	DIE M22520/5-11 A OR .213X.400 HEX	#5	④	BRASS	9-446556-2	443246-2	447844-1	5447647-1
CABLE SIZE	② DIE # OR HEX SIZE	① SELECTOR SETTING	FINISH	MATERIAL	③ FERRULE QTY=1	② CONTACT QTY=1	① PLUG ASSY QTY=1	PART NUMBER
				SHELL				

THIS DRAWING IS A CONTROLLED DOCUMENT.

DWN L. VARELA - DOCK5 31JAN2005	 Tyco Electronics Corporation Harrisburg, PA 17105-3608		
CHK J. HAVENER 31JAN2005			
APVD D. CAMELIO 31JAN2005			
NAME			
DIMENSIONS: INCHES TOLERANCES UNLESS OTHERWISE SPECIFIED: 0 PLC ± - 1 PLC ± - 2 PLC ± - 3 PLC ± - 4 PLC ± - ANGLES ± - FINISH SEE TABLE		PRODUCT SPEC 108-1574 APPLICATION SPEC - WEIGHT - CUSTOMER DRAWING	CONNECTOR, PLUG, SMA, HEX CRIMP, COMMERCIAL SIZE A2 CAGE CODE 00779 DRAWING NO C=5447647 RESTRICTED TO - SCALE 1:1 SHEET 1 OF 1 REV 0

5447647